

SMDQ-175

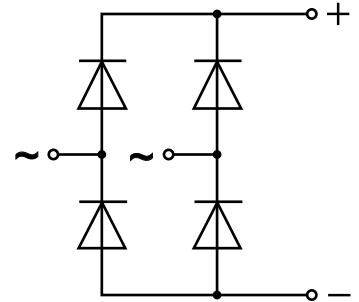
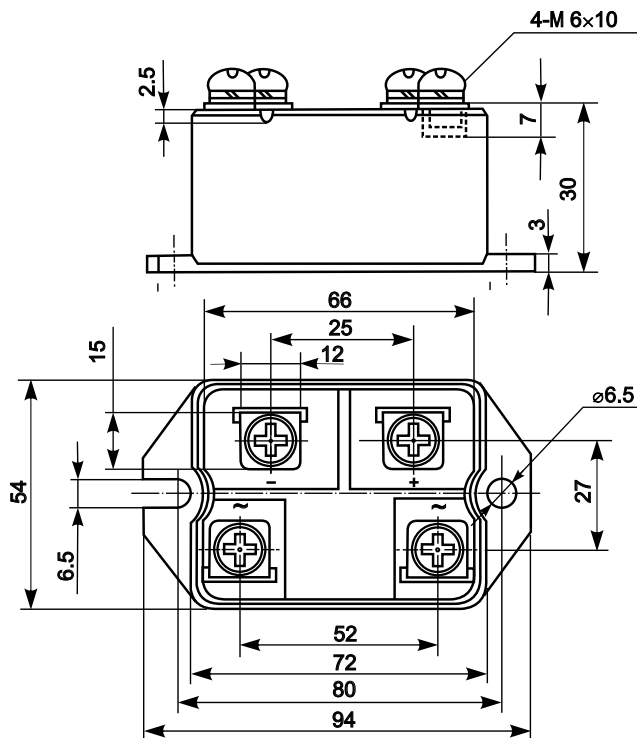


Single Phase Bridge Rectifier Module



Type	V_{RSM}	V_{RRM}
SMDQ-175-08	900	800
SMDQ-175-10	1100	1000
SMDQ-175-12	1300	1200
SMDQ-175-14	1500	1400
SMDQ-175-16	1700	1600
SMDQ-175-18	1900	1800

Type	I_{DAV}	T_c	I_{FSM}	i^2t	V_{TM}	I_{FM}	V_{TO}	r_T	T_{VJ}	V_{isol}	R_{thJC}
	A	$^{\circ}C$	KA	KA^2s	V	A	V	$m\Omega$	$^{\circ}C$	V	K/W
SMDQ-175	174	100	2.8	39.2	1.43	300	0.8	2.2	150	3000	0.11



Features:

- Industrial standard package
- Heat transfer through aluminium nitride ceramic isolated metal baseplate
- Precise internal pressure contacts for high reliability
- 3000V RMS isolation voltage

Typical Applications:

- DC power supply for instrument and equipment
- Power converters
- Electronic welders
- Lighting control